

MTS-05-100J



Tank with 100J Hand Held Gun

Melting tank is the core part of the low-pressure molding. Match with various types of LPMS workstations, which can applied to encapsulate applications including automotive electronics, PCBA , coil, fiber-optic, LED lighting, wire, cable, etc.

Features

- 5.7" touch screen operator interface, which is user friendly design.
- Three thermal control zones for precise melt control.
- Critical components (gear pump, valve and nozzle) are designed for PA adhesive.
- Mold set has self lock device for large part.
- Option: Time relay for injection time control.



Hand held gun

Specification

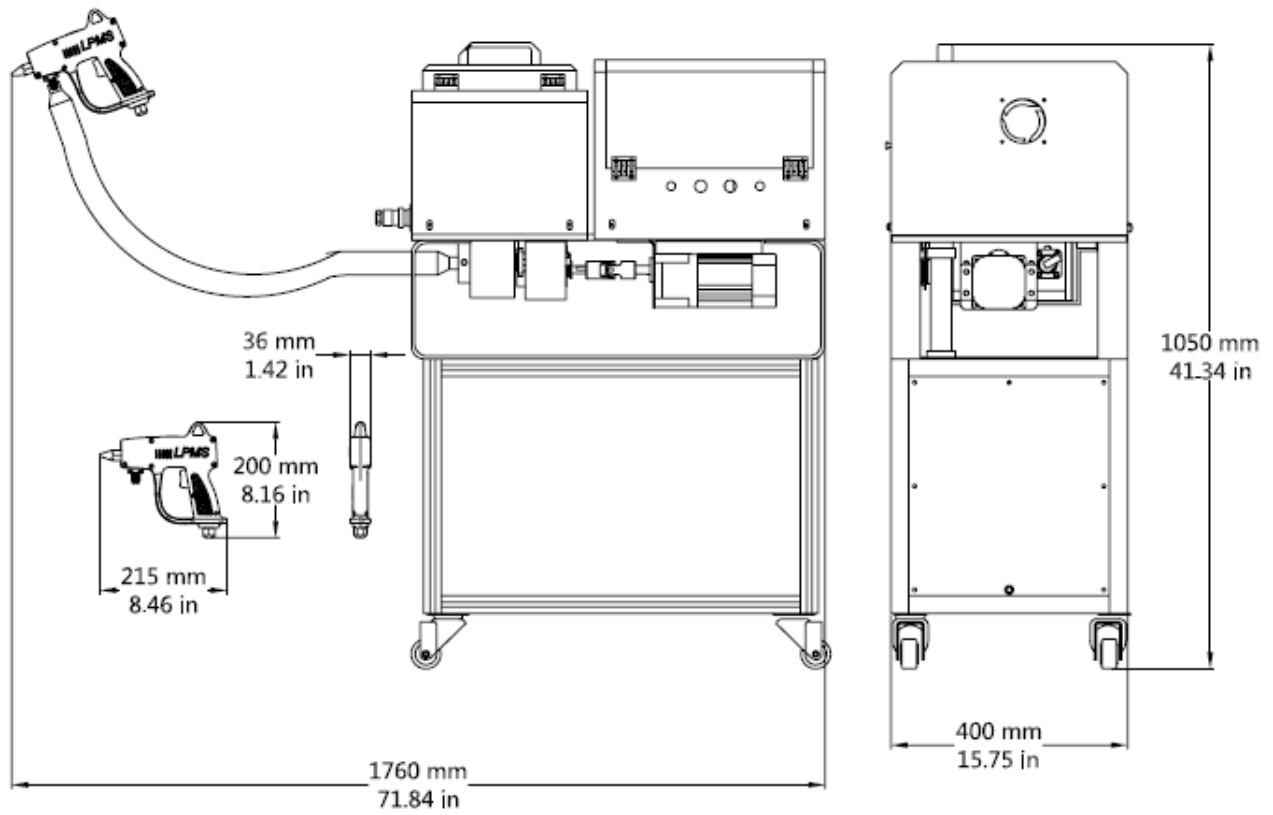
Machine Size	760 mm x 400 mm x 1050 mm / 63kg 29.92 in x 15.75 in x 41.34 in / 139 lbs
Gun weight	0.97 kg 2 lbs
Work Station Height	N/A
Plant View	1760 mm x 400 mm 71.84 in x 15.75 in
Melting Tank ¹	5 Liter
Auto Feeding	N/A
Gun Model & Tip Angle	LPMS100J 36.4° x 1 (Max.2)
Heated Hose ²	1.6m x 1 (Max.2)
Electricity ³	200~240VAC / 1Phase / 50 Hz
Temperature Control Zones	3
Temperature Range ⁴	Ambient up to 250°C / 446°F
Max. Power	4.5 kw
Min. Air Pressure	0.5 Mpa 73 Psi
Air Consumption	0.05m ³ / min 1.77 ft ³ / min
Clamping Device	Option
Clamping Force	Option
Clamping Stroke	Option
Control System	7 in HMI ,PLC controlled or option STN
Std. Mold Set Size	100 mm x 80 mm x 60 mm 3.94 in x 3.15 in x 2.36 in
Max. Mold Set Size	Depends on part design
Max. Part Size	Depends on part design

¹ Offer 5,10, 15 ,20 liters melting tank(s). Custom made if needed.

² Offer 1.2M, 1.6M, 2.2M hose(s). Custom made if needed.

³ Input power of 200-240 VAC 50/60 Hz single-phase or 380VAC 50/60Hz three phase.

Dimension



Machine dimension

※ LPMS reserved the right of final explanation. Please forgive that if any change of products will not specify additionally.