

KAPPA 1000



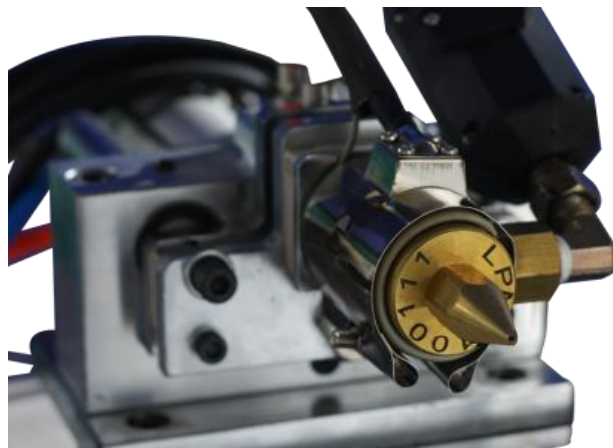
Side Injection Single Working Station Separate Tank Machine

LPMS® machines are engineered for low pressure molding, using specialty resins to encapsulate delicate parts, like automotive electronics, PCBA, coil, fiber-optic, LED lighting, cable, etc.

The benefit of side injection is that when one large cavity being encapsulated from the center of the mold, which can prevent the gate mark from the center of product.

Features

- Intuitive touch screen operation.
- Separate 7 liter melting tank.
- LPMS specially designed melt-on-demand tank can melt down the resin swiftly and evenly.
- Linear scale it' s precise for mold clamping, does not need to adjust the reed switch position.
- The gear pump is made of hard-wearing material, which is stable. Injection volume accuracy $\pm 0.1g$, maximum shot size is 5g/s.
- Injection pressure range 1~50kg, which is controlled by pneumatic safety valve. LPMS also have option like electronic safety valve, which means the injection pressure can be set more precisely from the PLC.
- Over temperature alarm and automatic heating stop functions.
- Safety light curtain and emergency stop button protect workers during the operation.
- Ejection system.



Side injection

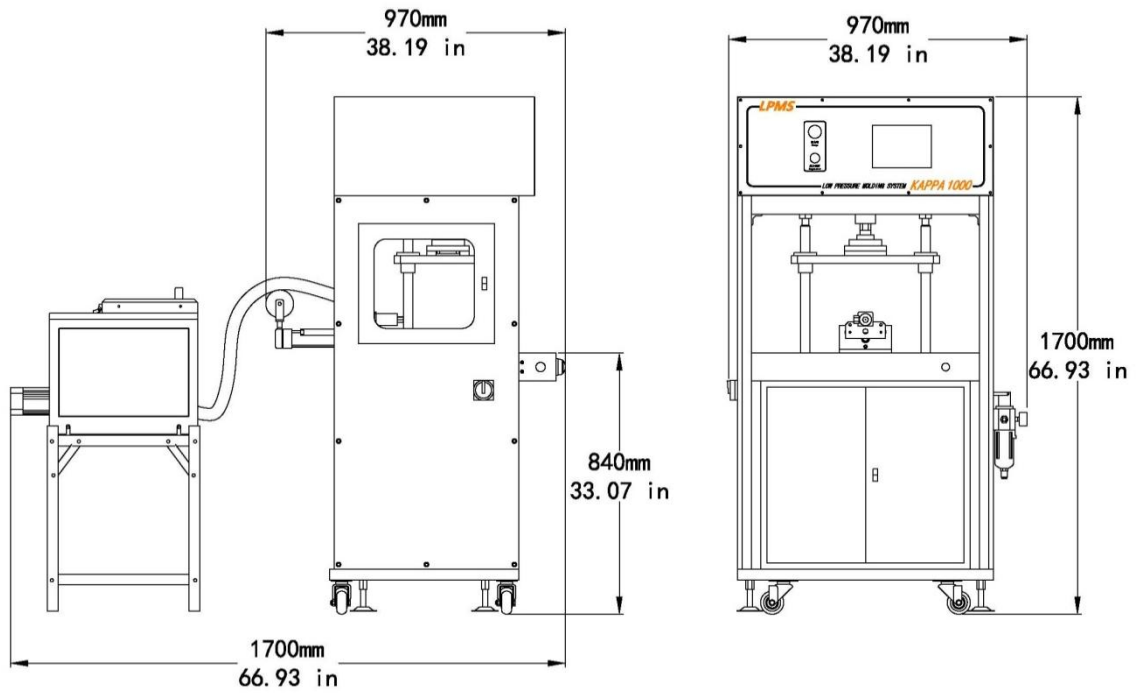
Specification

Machine Size / Weight	970 mm x 970 mm x 1700 mm / 325 kg 38.19 in x 38.19 in x 66.93 in / 717 lbs
Footprint	970 mm x 1700 mm 38.19 in x 66.93 in
Working Station Height	840 mm 33.07 in
Melting Tank	Melt on demand 7 liter x 1
Auto Feeding System	Optional
Gun Model & Tip	LPMS-G10 x 1 / 36.4° or 90°
Heated Hose ¹	1.2m x 1
Electricity ²	200-240VAC / 1 Phase / 50 or 60 Hz
Temperature Control Zones	3
Temperature Range	Ambient up to 250°C / 485°F
Max .Power	4.5 Kw
Min. Air Pressure	0.5 MPa 73 Psi
Air Consumption	0.1m ³ / min 3.5ft ³ / min
Clamping	Air Cylinder
Clamping Force	Max. 1.2 Tons
Clamping Stroke	150mm 5.91 in
Control System	7" HMI , PLC controlled
Safety Protection	Light Curtain, Emergency stop button
Mold Set Size	230 mm x 120 mm x 150 mm / 25 kg 9.06 in x 4.72 in x 5.91 in / 55 lbs
Max. Mold Set Size	300 mm x 200 mm x 150 mm 11.81 in x 7.87 in x 5.91 in

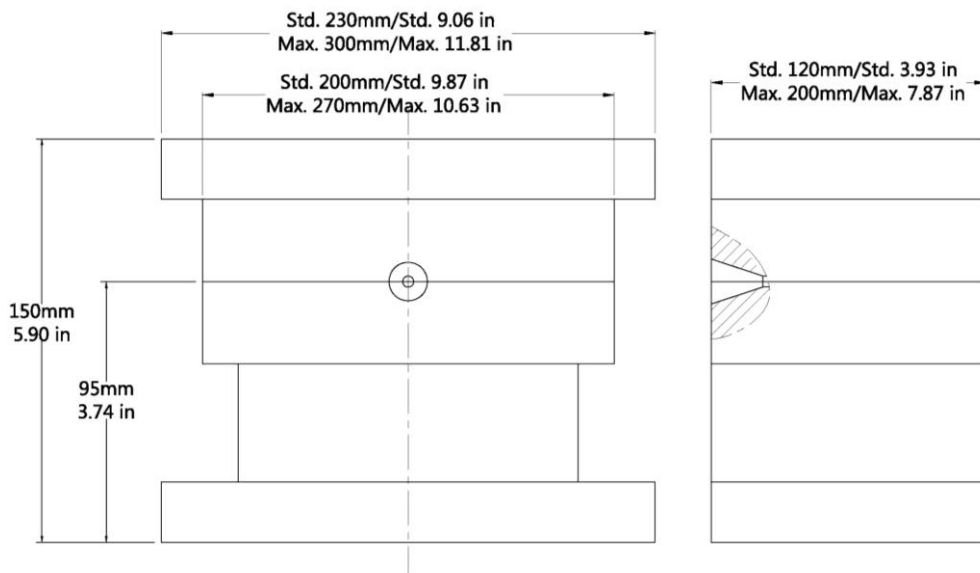
¹ Offer 1.6 m, 2.2 m hose(s). Custom made if needed.

² Input power of 200-240 VAC 50/60 Hz single-phase or 380VAC 50/60Hz three phase.

Dimension



Machine dimension



Mold set dimension

※ LPMS reserved the right of final explanation. Please forgive that if any change of products will not specify additionally.